

# M2

## FLEXFLO® Peristaltic Metering Pump



### Features

- > Self priming chemical metering pump delivers smooth chemical feed
- > Patented Tube Failure Detection (TFD) senses tube rupture
- > Signal inputs include: 4-20mA, Pulse Inputs, Frequency Inputs
- > Signal outputs include: Relay (3 amp), 4-20mA, Motor Status



**NEMA 4X**

### Highlights

**Flow range**

.0085 - 17.2 GPH  
.032 - 65.1 LPH

**Pressures**

125 PSI  
(8.6 bar)

**Turndown ratio**

200 : 1

**Exclusive**

Tube Failure Detection (TFD)

**Motor**

Brushed DC,  
1/8 H.P.

**Warranty**

5 Years

### Control Methods

Control Methods	Manual Control	4-20mA Input	Remote Start/Stop	Alarm Output	FVS	Motor Status Output
M2	•	•	•	•	•	•



<b>Maximum Working Pressure (Excluding Pump Tubes)</b>	125 psig (8.6 bar) <b>NOTE:</b> See individual pump tube assembly maximum pressure ratings.
<b>Maximum Fluid Temperature (Excluding Pump Tubes)</b>	3/8" OD x 1/4" ID tubing connections: 130 °F (54 °C) M/NPT connections: 185 °F (85 °C) <b>NOTE:</b> See individual pump tube assembly max. temperature ratings.
<b>Maximum Viscosity</b>	12,000 Centipoise
<b>Maximum Suction Lift</b>	30 ft. Water at sea level (14.7 atm psi)
<b>Maximum Operating Temperature</b>	14 °F to 115 °F (-10 °C to 46 °C)
<b>Maximum Storage Temperature</b>	-40 °F to 158 °F (-40 °C to 70 °C)
<b>Operating Voltage</b>	115VAC/60Hz, 1ph (1.5 Amp Maximum)
	230VAC/60Hz, 1ph (0.7 Amp Maximum)
	220VAC/50Hz, 1ph (1.0 Amp Maximum)
	240VAC/50Hz, 1ph (1.0 Amp Maximum)
<b>Power Cord Options</b>	115V60Hz = NEMA 5/15 (USA)
	230V60Hz = NEMA 6/15 (USA)
	220V50Hz = CEE 7/VII (EU)
	240V50Hz = AS 3112 (Australia/New Zealand)
	230V50Hz = BS 1363/A (UK)
<b>Motor</b>	Brushed DC, 1/8 H.P.
<b>Duty Cycle</b>	Continuous
<b>Motor Speed Adjustment Range</b>	200:1 (0.5% - 100%) Max rpm = 130 rpm
<b>Motor Speed Adjustment Resolution</b>	0.1% increments
<b>Display</b>	Backlit LCD, UV resistant
<b>Keypad</b>	Eight button positive action tactile switch keypad
<b>Maximum Overall Dimensions</b>	7-1/2" W x 10-1/4" H x 14" D (19 W x 26 H x 35.6 D cm)
<b>Product Weight</b>	28.4 lb. (12.9 Kg)
<b>Approximate Shipping Weight</b>	35 lb. (15.9 Kg)
<b>Enclosure</b>	NEMA 4X (IP66), Polyester powder coated aluminum
<b>RoHS Compliant</b>	Yes
<b>Standards</b>	NSF/ANSI 61, cETLus, CE

## Output Specifications

Tubing Options	Feed Rate			Max Pressure	Max Temperature
	GPH	LPH	mL/Min	PSI (bar)	°F (°C)
<b>Flex-A-Prene® A2 Tube Pumps</b>					
ND	.01 - 1.7	.03 - 6.5	.54 - 108	125 (8.6)	185 (85)
NEE	.022 - 4.44	.084 - 16.8	1.4 - 280	110 (7.6)	185 (85)
NGG	.086 - 17.2	.325 - 65.1	5.4 - 1085	110 (7.6)	185 (85)
<b>Flex-A-Chem® A2 Tube Pumps</b>					
TH	.07 - 14.3	.27 - 54	4.5 - 900	50 (3.4)	130 (54)
<b>Flex-A-Thane® A2 Tube Pumps</b>					
GE	.02 - 4.0	.08 - 15.2	1 - 253	65 (4.5)	130 (54)
GG	.05 - 9.3	.17 - 35.2	3 - 587	65 (4.5)	130 (54)
G2G	.07 - 14.98	.03 - 56.7	4.7 - 945	65 (4.5)	130 (54)

**Non-wetted Components:**

**Enclosure:** 413 Aluminum (Polyester powder coated)

**Pump Head:** Valox® (PBT) thermoplastic

**Pump Head Cover:** Polycarbonate

Permanently lubricated sealed motor shaft support ball bearing.

**Cover Screws:** Stainless steel

**Roller Assembly:**

Rotor: Valox® (PBT)

Rollers: Machined nylon

Roller Bearings: SS Ball bearings

Roller Shaft: 316 Stainless steel

**Motor Shaft:** Chrome plated steel

**TFD System Sensor:** Hastelloy C-276

**Power Cord:** 3 conductor, SJTW-A water-resistant

**Tube Installation Tool:** GF nylon

**Mounting Brackets and Hardware:** 316 Stainless steel

**Wetted Components:**

**Pump Tube Assembly:**

Tubing: Flex-A-Prene®, Flex-A-Chem® or Flex-A-Thane®

Adapter Fittings: PVDF

**NOTE:** This is model specific, and two are provided.

**Recommended Ancillary Items Sold Separately:**

**Injection/Back-Flow Check Valve:**

Body & Insert: PVDF

Check Ball: Ceramic

Spring: Hastelloy C-276

Ball Seat O-Ring: FKM (optional EP)

Static Seal O-Ring: FKM (optional EP)

**With “S” Tubing Type Only:**

Suction Tubing: 3/8" OD x 1/4" ID x 10' Clear PVC

Discharge Tubing: 3/8" OD x 1/4" ID x 10' Polyethylene

Suction Strainer: Polypropylene

**With “B” Tubing and “M” M/NPT Connections Only:**

**Suction Strainer:**

Body: PVDF

Check Ball: Ceramic

Ball Seat O-Ring: FKM (Optional EP)

**With “C” Tri-clamp and “Q” Quick Disconnect Connections\* Only:**

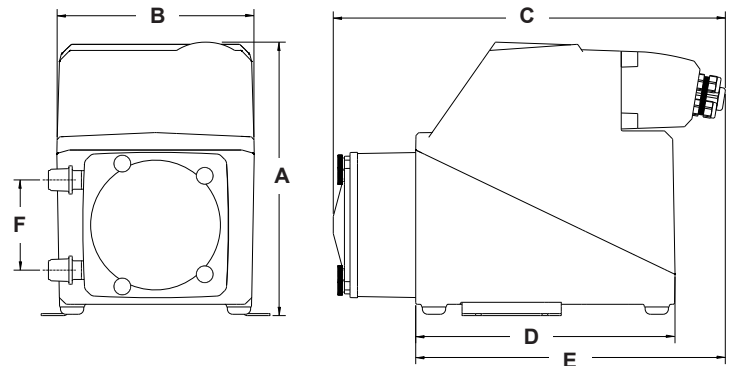
(Available for ND, NEE, NGG, and G2G only)

Suction Strainer: Polypropylene

**NOTE:** \* Quick Disconnect Valves sold separately.

## Dimensions

Dim	Inch	cm	Dim	Inch	cm
A	10-1/4"	26	D	9-1/2"	24.1
B	7-1/2"	19	E	11"	27.9
C	14"	35.6	F	3-3/8"	8.6



# Model Number Matrix

M2

## FLEXFLO® Model Number

**M2** FLEXFLO® Peristaltic metering pump model number

### Power Cord (operating voltage user selectable 115V/240 Vac 50/60Hz)

<b>4</b>	115V / 60Hz, power cord NEMA 5/15 plug (US)	<b>8</b>	240V / 50HZ, power cord AS 3112 plug (AU/New Zealand)
<b>5</b>	230V / 60Hz, power cord NEMA 6/15 plug (US)	<b>9</b>	230V / 50HZ, power cord BS 1363/A plug (United Kingdom)
<b>6</b>	220V / 50HZ, power cord CEE 7/VII plug (EU)	<b>X</b>	No Power Cord

### Inlet/Outlet Connection Size, Connection Type, Connection Material

<b>S</b>	3/8" OD x 1/4" ID Tube Compression Fitting, Natural PVDF (Kynar)	<b>C</b>	1/2" - 3/4" Tri-clamp connections, Natural PVDF (Kynar), available for ND, NEE, NGG, and G2G only
<b>M</b>	1/2" Male NPT Fitting, Natural PVDF (Kynar)	<b>Q</b>	Quick Disconnect, Natural PVDF (Kynar), available for NDD, NEE, NGG, and G2G only (valve Ns sold separately)
<b>B</b>	1/2" Hose Barb, Natural PVDF (Kynar), available for ND, NEE, NGG, and G2G only	<b>MB</b>	1/2" Male BSPT Fitting, Natural PVDF (Kynar)

### Pump Tube Material, Pump Tube Size, Output Range

<b>ND</b>	Flex-A-Prene® .075 ID   0.01-1.7 GPH   125 PSI
<b>NEE</b>	Flex-A-Prene® .093 ID   0.022-4.44 GPH   110 PSI
<b>NGG</b>	Flex-A-Prene® .187 ID   0.086-17.2 GPH   110 PSI
<b>G2G</b>	Flex-A-Thane® .187 ID   0.07-14.98 GPH   65 PSI
<b>GE</b>	Flex-A-Thane® .125 ID   0.02-4.0 GPH   65 PSI
<b>GG</b>	Flex-A-Thane® .187 ID   0.05-9.3 GPH   65 PSI
<b>TH</b>	Flex-A-Chem® .250 ID   0.07-14.3 GPH   50 PSI

### Options (leave this blank for standard model with left facing pump head inlet/outlet)

<b>R</b>	Right facing pump head, input / output (Left facing fluid input / output is standard)
<b>D</b>	Down facing pump head, input / output (Left facing fluid input / output is standard)

**M2** **2** **4** **S** **ND** **R** **Sample Model Number**

## Quick Disconnect Valve Kits



**3/8" OD, 1/4" TUBING**

\*KIT-QSV FKM O-RINGS  
\*KIT-QSE EP O-RINGS



**1/2" HOSE BARB**

\*KIT-QBV FKM O-RINGS  
\*KIT-QBE EP O-RINGS



**1/2" M/NPT**

\*KIT-QMV FKM O-RINGS  
\*KIT-QME EP O-RINGS

**NOTE:** For use with the Quick Disconnect Flex-A-Prene® Tube Assembly. Kits sold separately.

P.N. 85000-115 M2 REV 1 20220317

5300 Business Drive, Huntington Beach, CA 92649  
TEL 714-893-8529 | FAX 714-894-9492 | www.blue-white.com | sales@blue-white.com