

## PCM EASYFEED

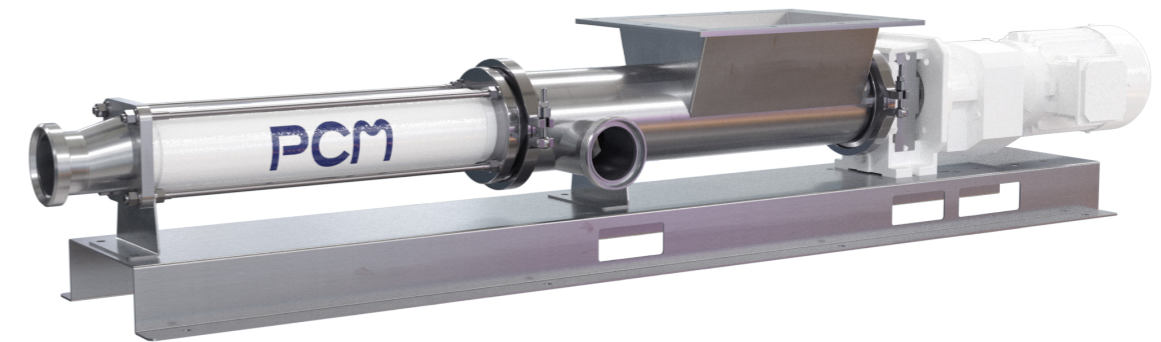
› TRANSFER OF VISCOUS AND  
HETEROGENEOUS PRODUCTS

[www.pcm.eu](http://www.pcm.eu)



## PCM EASYFEED

Transfer of viscous and heterogeneous products



The PCM EasyFeed progressive cavity pump (food grade version) with Moineau™ technology is ideal for transferring highly viscous, heterogeneous with or without particles, pasty or even sticky fluids.

This pump is specially adapted to the meat and the fruit & vegetable markets. It has been designed in compliance with food recommendations and requirements to avoid any retention areas and to facilitate cleaning.



### TECHNICAL PERFORMANCE

- **Pressure:** 10 bars [145psi]
- **Flowrate:** 30 m<sup>3</sup>/h [132 usgpm]
- **Hopper internal dimensions:** 260 x 150 mm, 350 x 240 mm, 520 x 350 mm
- **Particle size:** max. 32 mm

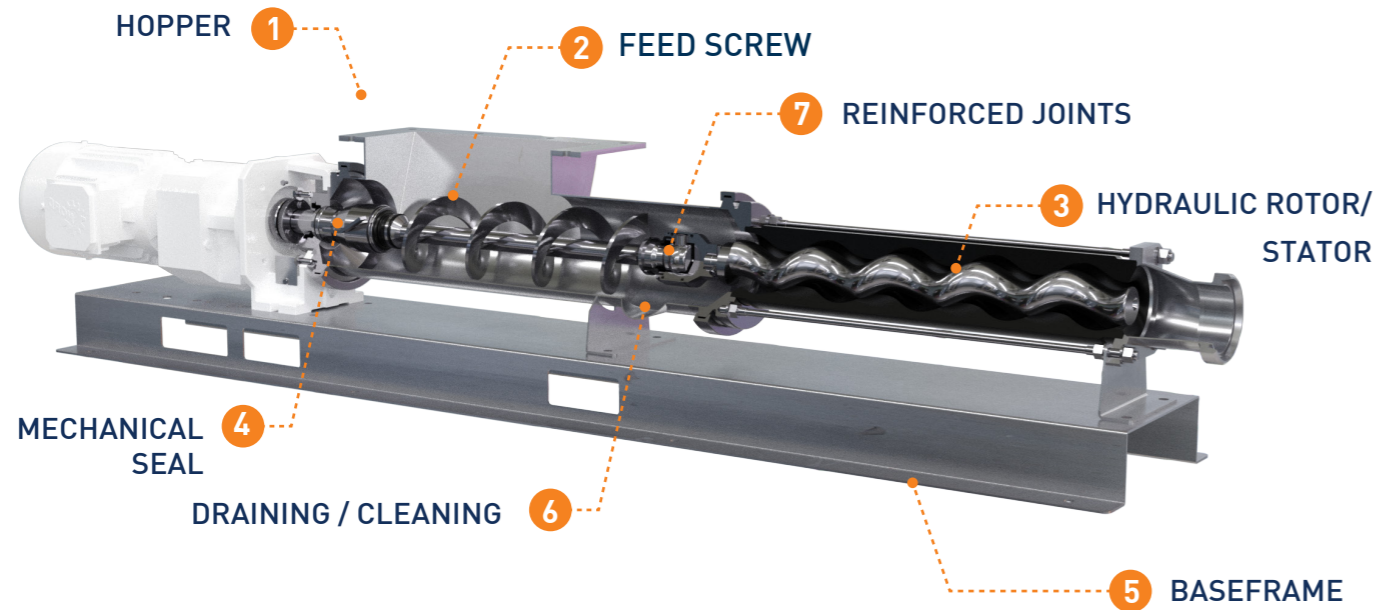
### RANGE

- 6 models

### EXAMPLES OF APPLICATIONS

- Mechanically separated meat
- Fish emulsion
- Petfood preparation
- Fruit and vegetables: pea fibers, tomato concentrate, coproducts
- Beet pulp, molasses

## PCM EASYFEED PUMP CONSTRUCTION



### 1 HOPPER

- Hopper with inner vertical walls for better fluid flow to the feed screw (design suitable for sticky products)
- 316L stainless steel construction, roughness  $Ra \leq 1.6 \mu m$ , continuous welds according food requirements
- Conical shaped barrel to guide the fluid to the hydraulic (avoids accumulation and retention at the stator inlet)
- Tangential port (right or left side) for easy cleaning and complete body emptying

### 2 FEED SCREW

- Open-type feeding screw designed to the transfer constraints of sticky products
- Compact and robust joint; strong construction adapted to abrasive fluids

### 3 HYDRAULIC ROTOR/STATOR

- 329L stainless steel duplex rotor to ensure better abrasion resistance
- Black food grade NBR stator for EU-1935/2004 and FDA compliance
- Moineau™ hydraulic system compatible with EcoMoineau™ C and Hycare™

### 4 SEALING

- Single mechanical seal with food grade o-rings, suitable for food contact
- Silicon carbide/silicon carbide seal for better abrasion resistance, spring not in contact with the product
- Quench on request (water lubricated or with NSF-H1 food grease in automatic device) for abrasive and/or sweet products

### 5 BASEFRAME

- 304L stainless steel baseframe, adjustable feet on request

## PCM EASYFEED RANGE BENEFITS

### VERSATILITY AND ROBUSTNESS

- Transfer of various products: heterogeneous or not, fluid or highly viscous, with or without particles, pasty, sticky, fatty...
- For viscosities up to 80 000cp and dryness levels of 30%
- Small pump footprint and easy to integrate

### DESIGN ENSURING FOOD CONTACT SUITABILITY

- Design avoiding any retention areas
- Parts in contact with the product are food grade certified (seals, elastomers, sheaths...)
- 316L stainless steel parts: external shotpeening, internal polishing for a roughness in line with food requirements

### SIMPLIFIED MAINTENANCE

- Pump disassembly with clamp collars for immediate access to wear parts and easy clean out of place
- EcoMoineau™ patented rotor coupling system with 3 screws

\*except models 3 / 6 / 13EF12

## OPTIONS

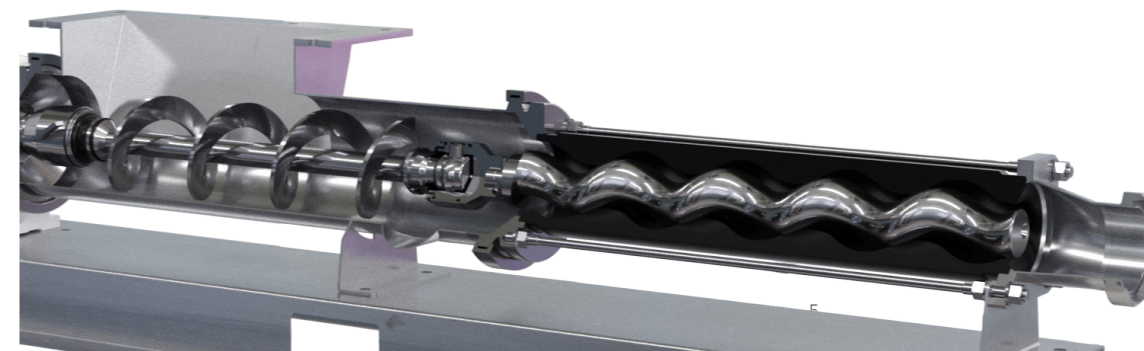
- SMS/DIN11851/CLAMP fittings available as standard
- Food colorant injection ports (positioned on the feed barrel)
- Frequency inverter to extend the pump's flow range
- Hopper: other sizes available on request
- Stator mounted temperature sensor
- Pressure switch

## REINFORCED JOINTS

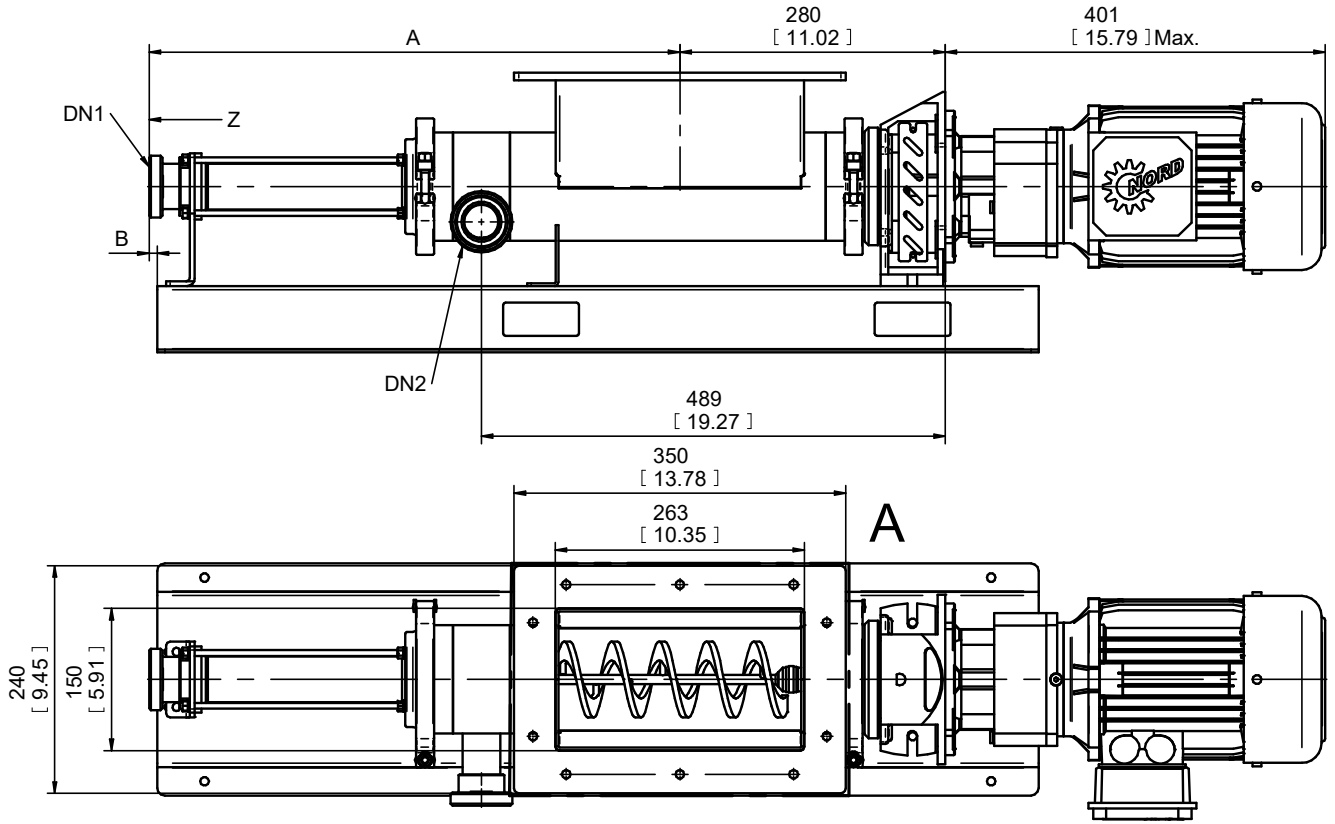


Compact and robust articulation of smaller models

Articulation with EcoMoineau™ patented rotor coupling system for large displacement models

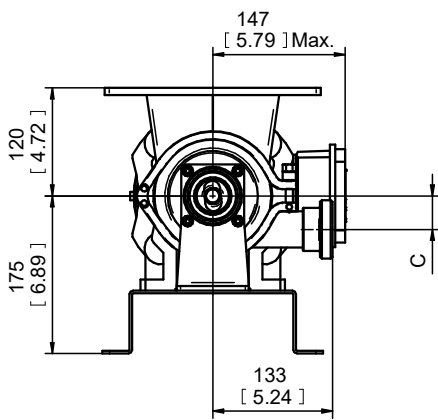


» DRAWING PCM EASYFEED 3EF12

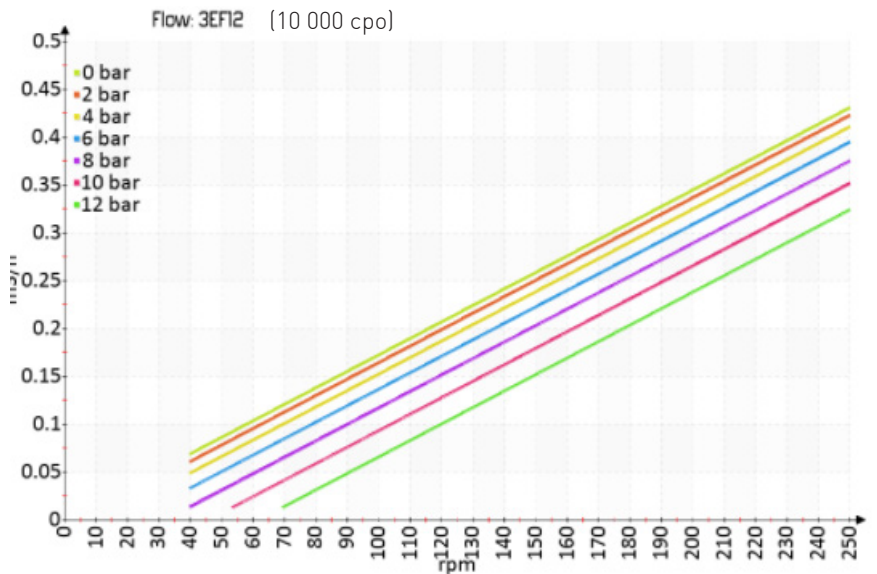


RACCORD / CONNECTION DN1 & DN2					
Norm.	DN1	DN2	A	B	C
DIN 11851	DN40	DN40	560	8.5	37.2
CLAMP ISO 2852	DN40	DN40	560	8.5	33
SMS 1145	DN38	DN38	560	8.5	38.1
Flange EN 1092-1	DN40	DN40	570	18.5	33

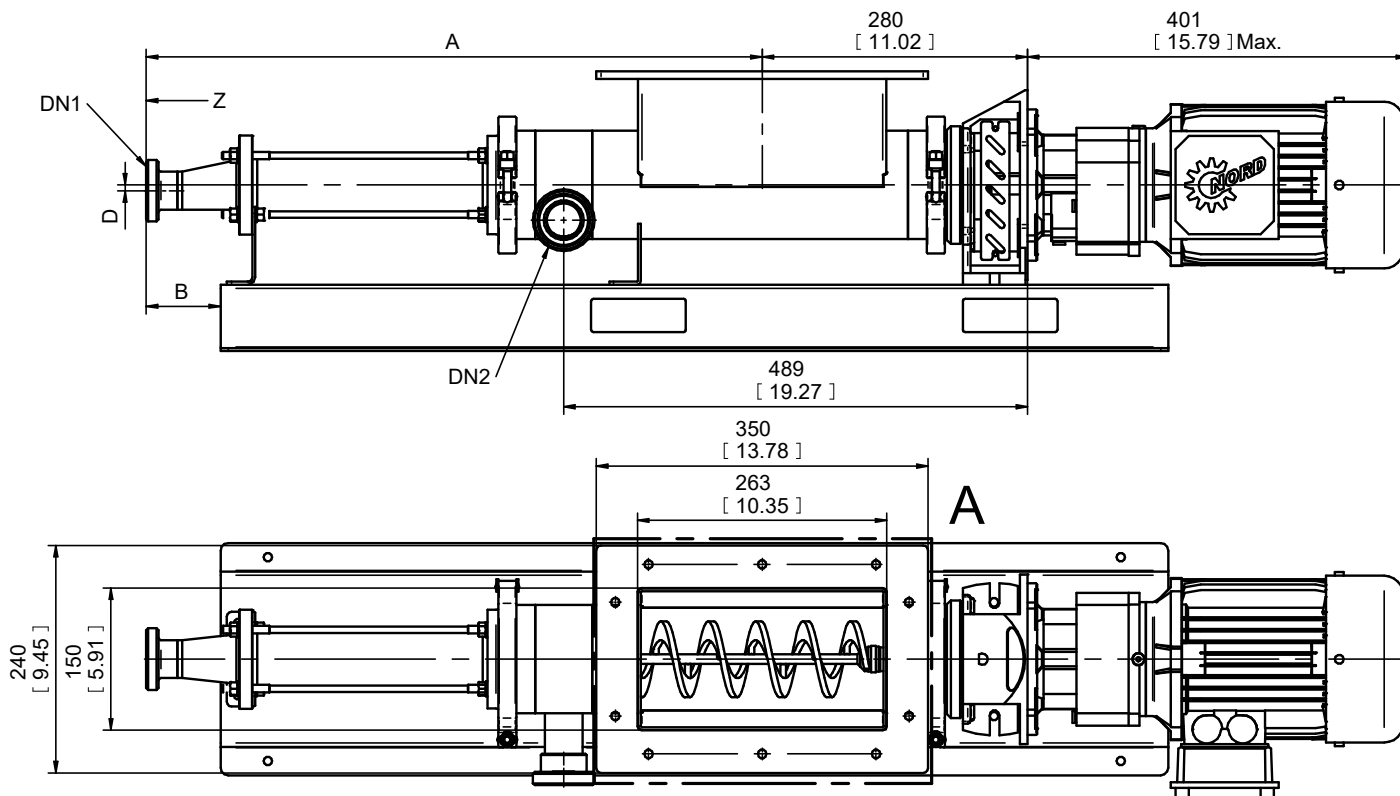
Masse Max. : 51 Kgs  
 Max. Weight : 112.44 Lbs



Rinçage Pos.7  
 Rinsing Pos.7

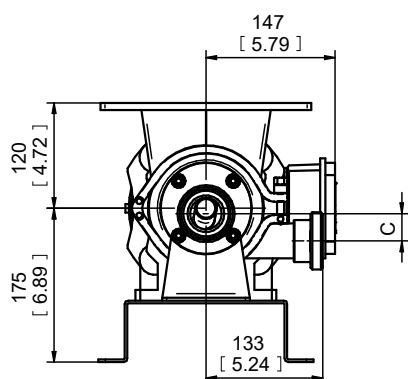


» DRAWING PCM EASYFEED 6EF12

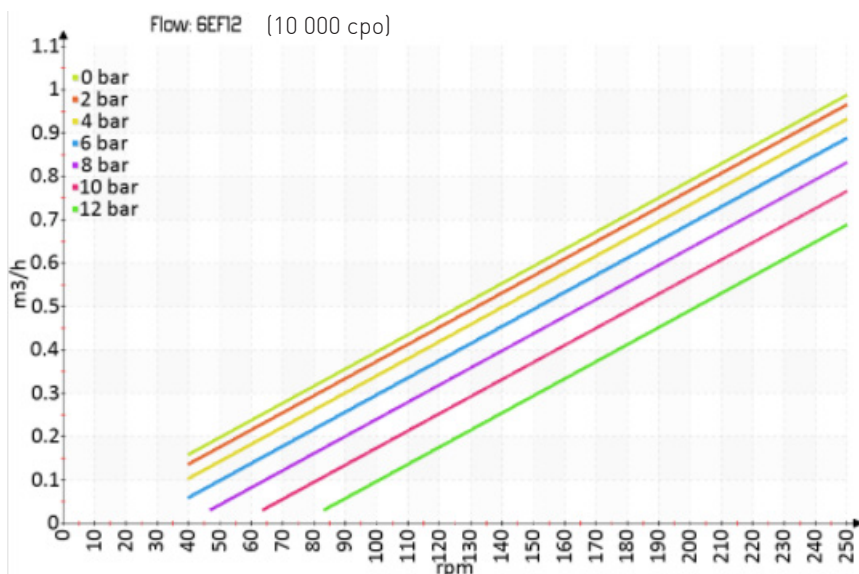


RACCORD / CONNECTION DN1 & DN2						
Norm.	DN1	DN2	A	B	C	D
DIN 11851	DN40	DN40	650	78.5	31.2	6
CLAMP ISO 2852	DN40	DN40	654	82.5	27	6
SMS 1145	DN38	DN38	640	68.5	31.8	6.4
Flange EN 1092-1	DN40	DN40	656	84.5	27	6

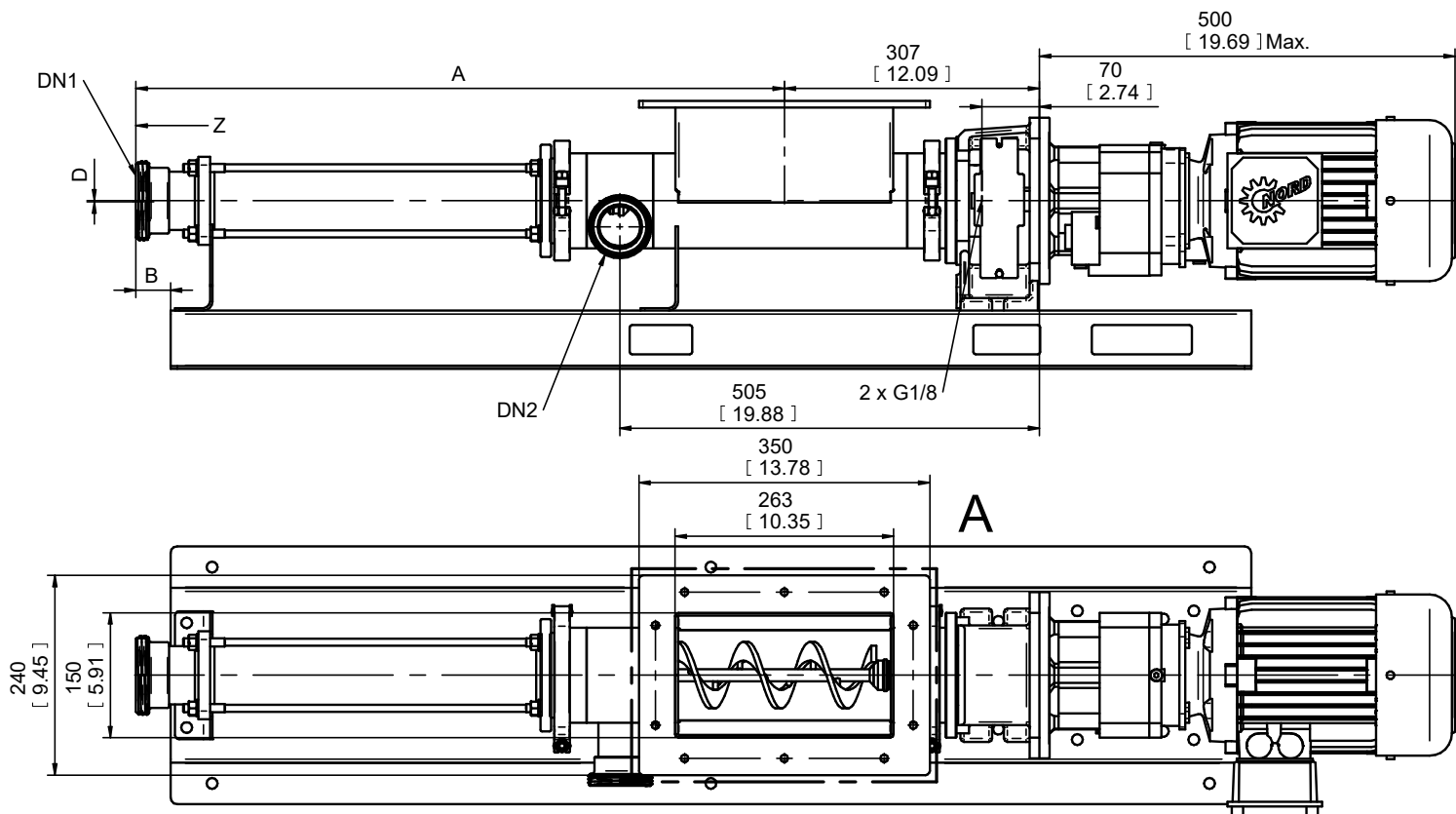
Masse Max. : 52 Kgs  
 Max. Weight : 114.64 Lbs



Rinçage Pos.7  
 Rinsing Pos.7

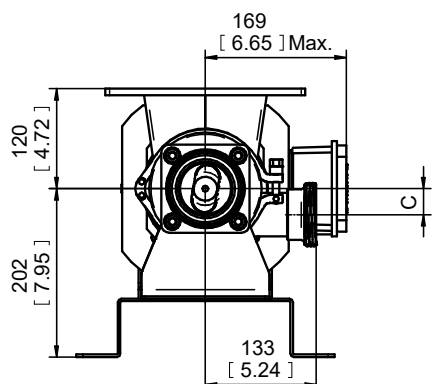


**DRAWING PCM EASYFEED 13EF12**

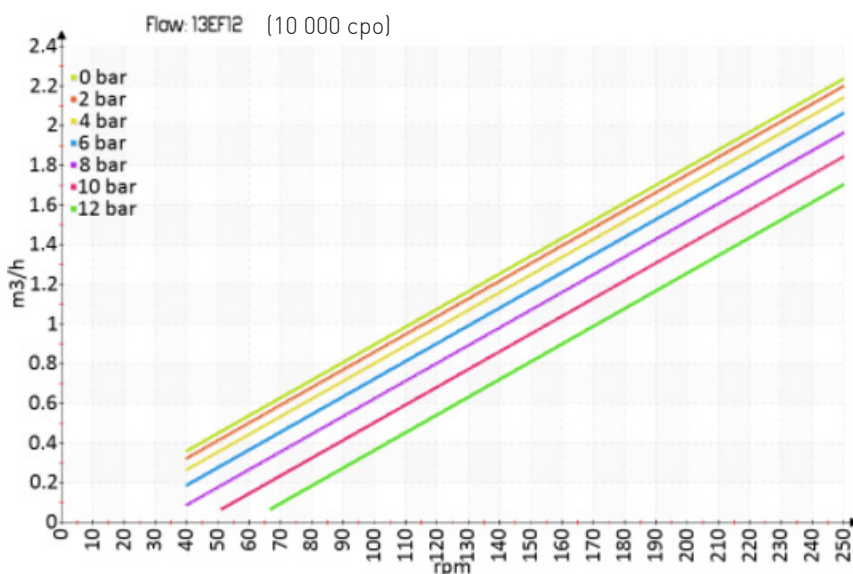


RACCORD / CONNECTION DN1 & DN2						
Norm.	DN1	DN2	A	B	C	D
DIN 11851	DN65	DN50	780	42	31.2	0
CLAMP ISO 2852	DN63.5	DN51	780	42	27	0
SMS 1145	DN63	DN51	806	68	25.5	6.35
Flange EN 1092-1	DN65	DN50	780	42	27	0

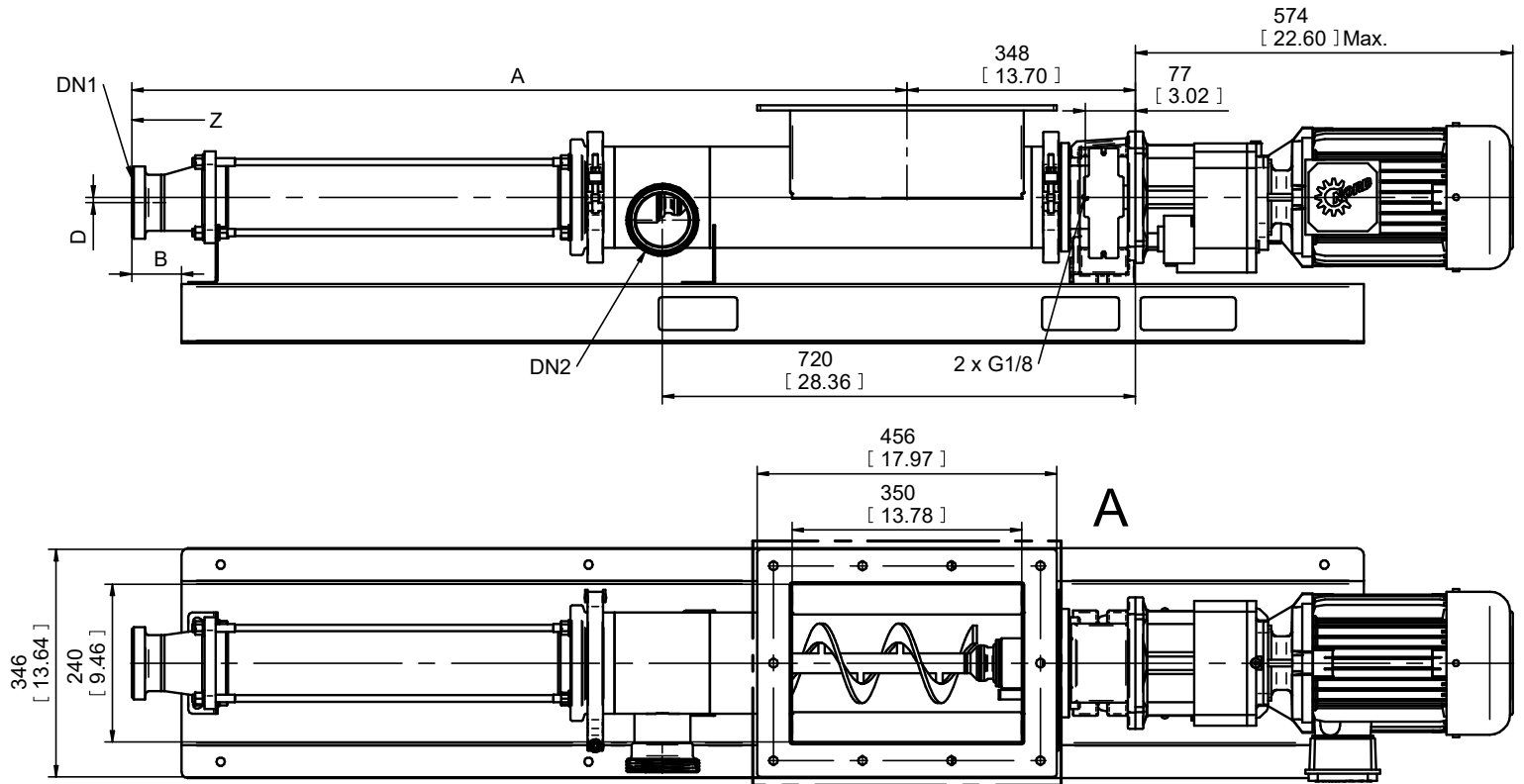
Masse Max. : 93 Kgs  
 Max. Weight : 205.03 Lbs



Rinçage Pos.7  
 Rinsing Pos.7

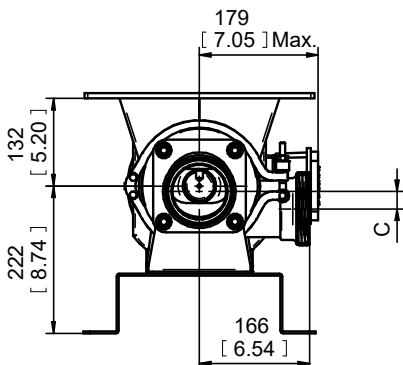


**DRAWING PCM EASYFEED 25EF12**

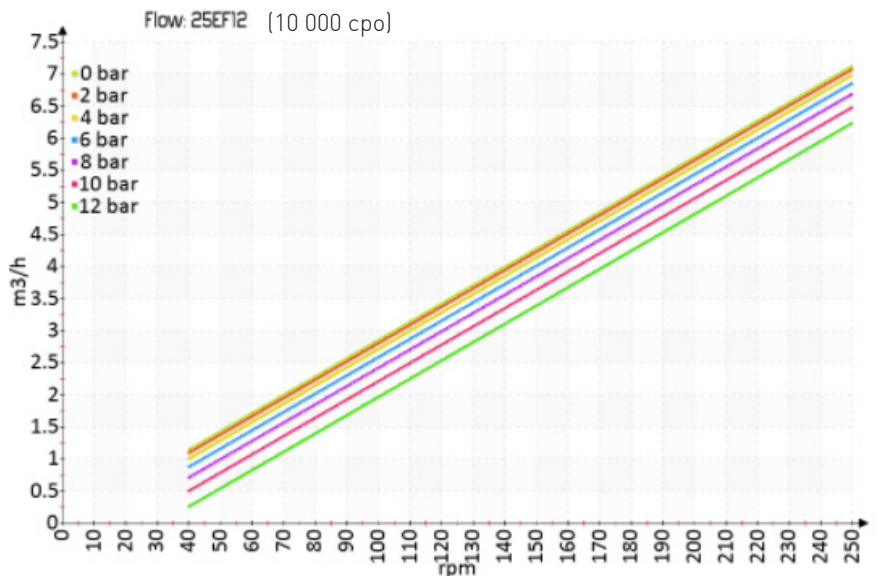


RACCORD / CONNECTION DN1 & DN2						
Norm.	DN1	DN2	A	B	C	D
DIN 11851	DN80	DN80	1180	76	26.2	8.3
CLAMP ISO 2852	DN76	DN76	1172	68	32.6	0
SMS 1145	DN76	DN76	1185	80.5	32.5	6.4
Flange EN 1092-1	DN80	DN80	1172	68	32.6	0

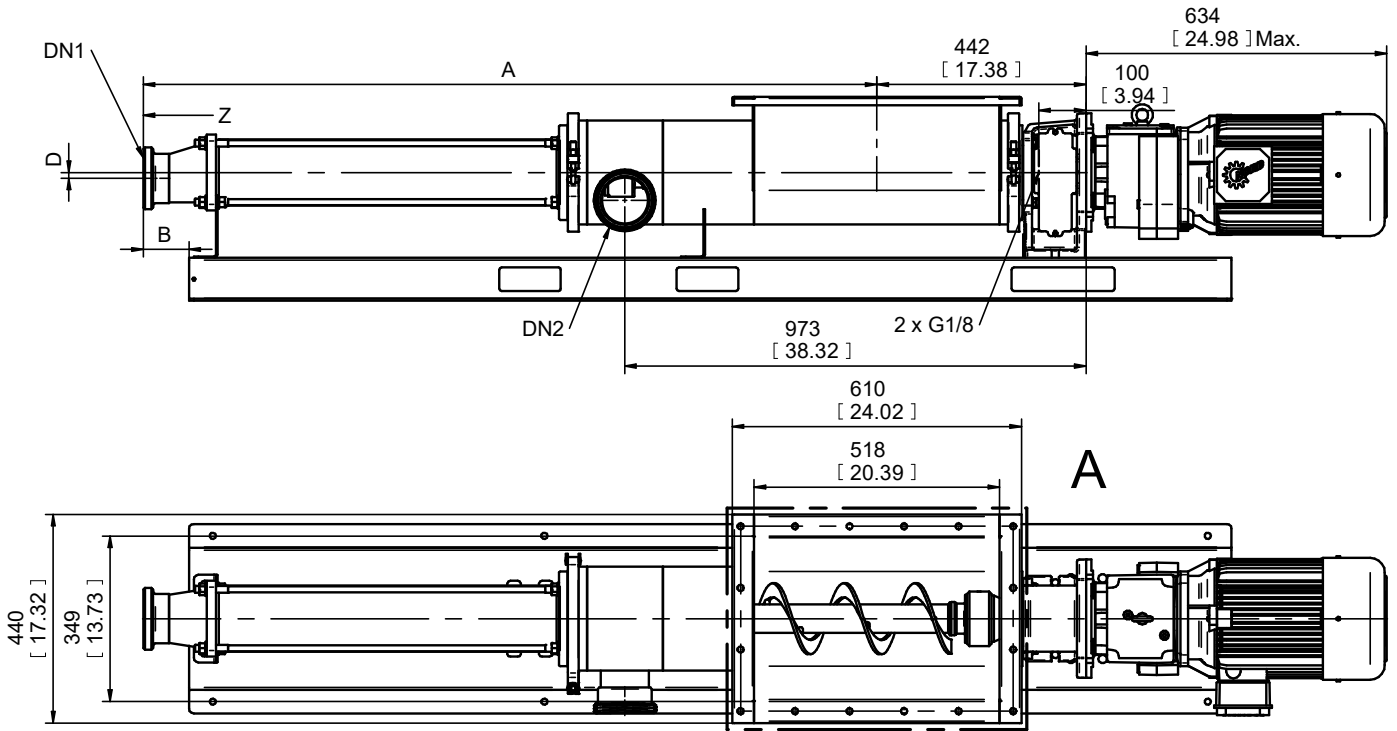
Masse Max. : 155 Kgs  
 Max. Weight : 341.72 Lbs



Rinçage Pos.7  
 Rinsing Pos.7

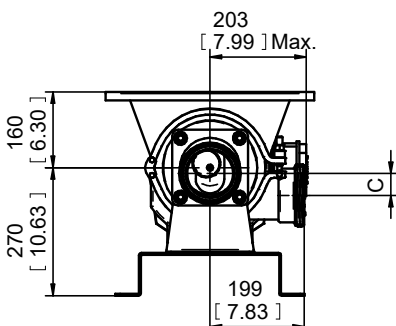


» DRAWING PCM EASYFEED 40EF12

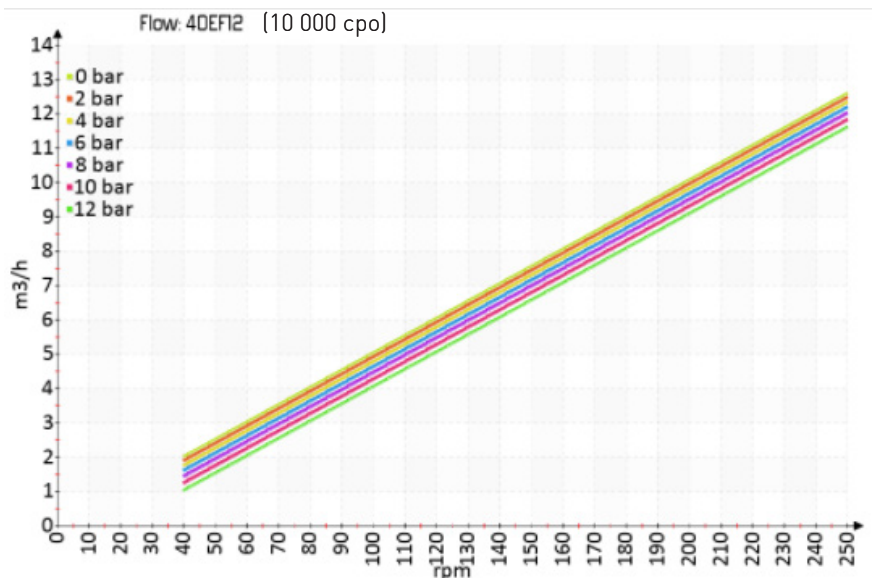


RACCORD / CONNECTION DN1 & DN2						
Norm.	DN1	DN2	A	B	C	D
DIN 11851	DN100	DN100	1548	96.6	46.5	12.3
CLAMP ISO 2852	DN104	DN104	1520	96.6	52.4	0
SMS 1145	DN104	DN104	1540	73	47.6	11
Flange EN 1092-1	DN100	DN100	1520	96.6	52.4	0

Masse Max. : 290 Kgs  
 Max. Weight : 639.34 Lbs

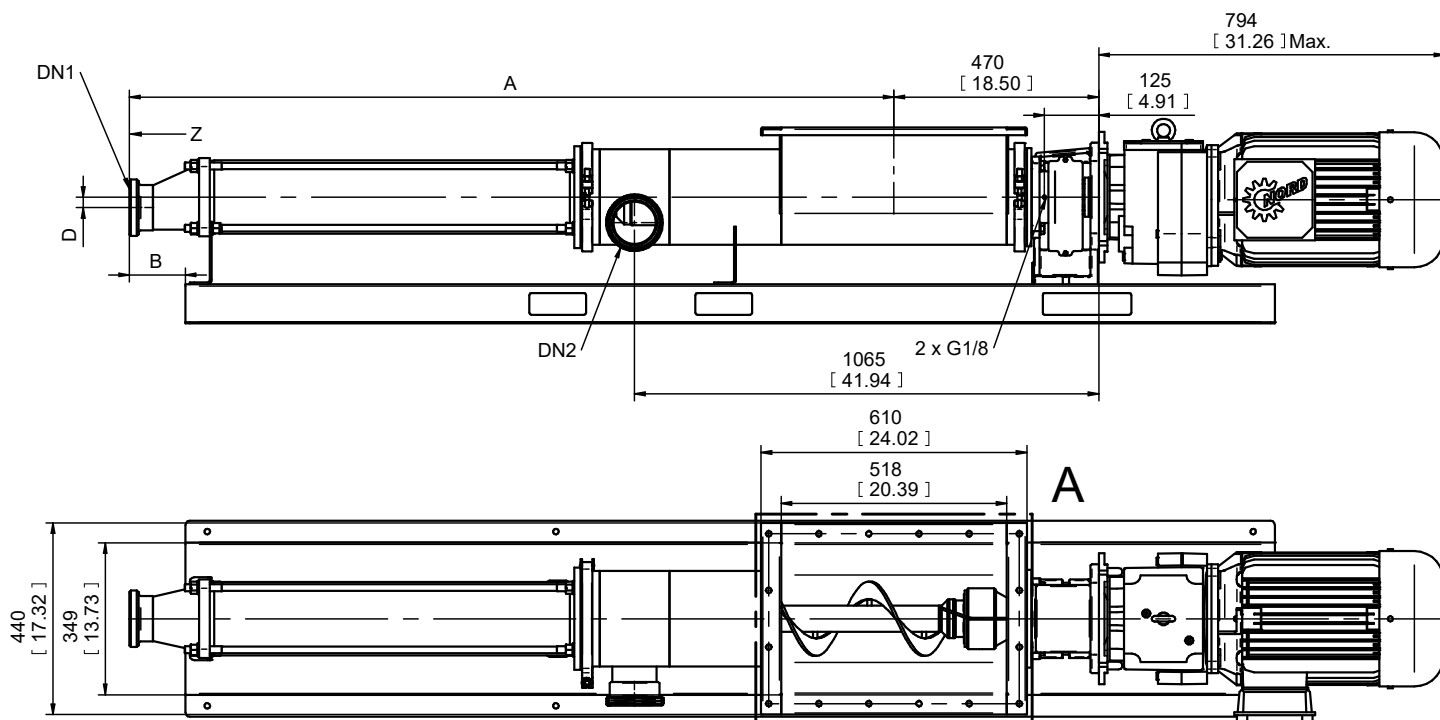


Rincage Pos.7  
 Rinsing Pos.7



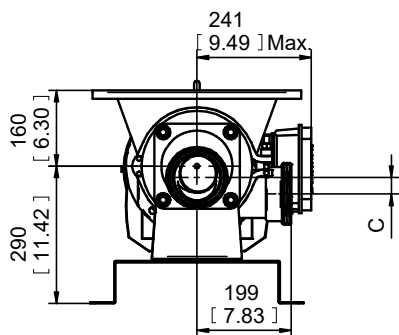


**DRAWING PCM EASYFEED 60EF12**



RACCORD / CONNECTION DN1 & DN2						
Norm.	DN1	DN2	A	B	C	D
DIN 11851	DN100	DN100	1754	128	34.6	24.2
CLAMP ISO 2852	DN104	DN104	1719	92.7	34.6	17.8
SMS 1145	DN104	DN104	1725	98.8	34.6	23
Flange EN 1092-1	DN100	DN100	1725	98.8	34.6	17.8

Masse Max. : 410 Kgs  
 Max. Weight : 903.90 Lbs



Rinçage Pos.7  
 Rinsing Pos.7

